

Installation Manual

MODEL:CTG701

IMPORTANT NOTICE

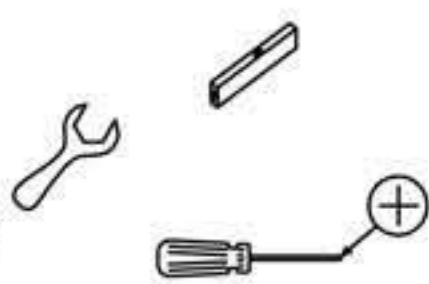
- Before the installation process begins, ensure that all components are in the box, and that the door is not damaged in any way.
- Be careful when moving the product, especially the glass, as it is tempered and is designed to shatter if cracked or chipped.
- Read these instructions carefully and install the enclosure as specified below. We recommend that you use one of our preferred installers to install this enclosure.

Tools used during installation.

Spirit Level

Spanner

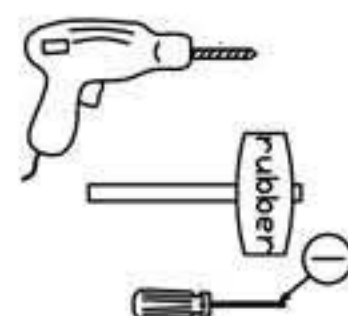
Star screwdriver



Electric driller

Rubber hammer

Flat screwdriver



Measuring tape

Pencil

Silicone



Accessories list

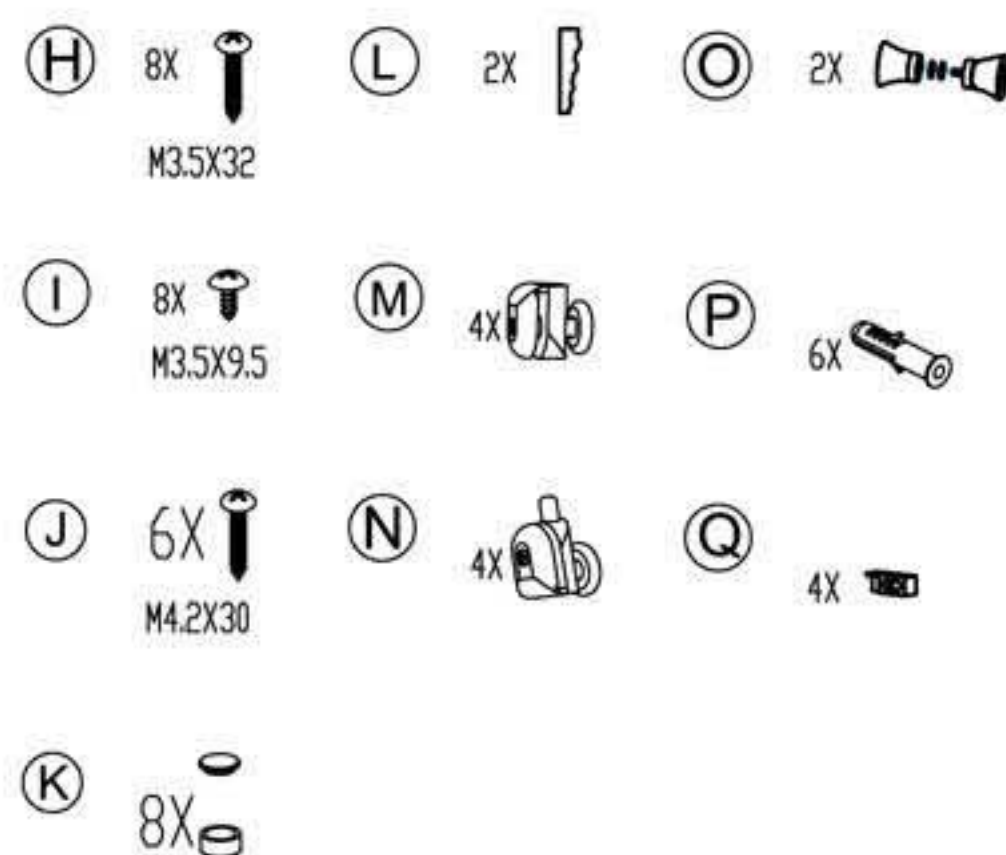
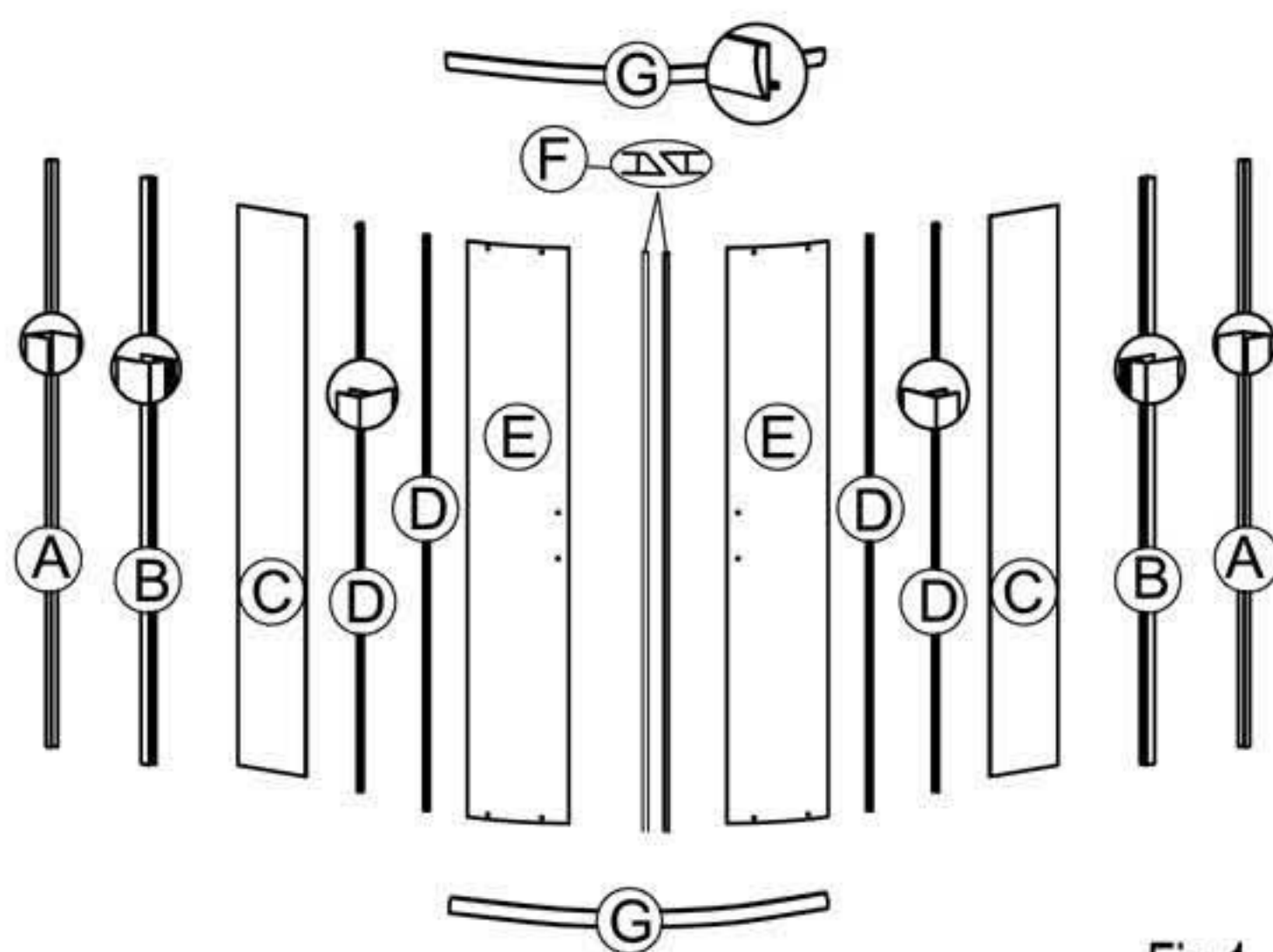


Fig.1

N.O.	PART NAME	QUAN.	N.O.	PART NAME	QUAN.	N.O.	PART NAME	QUAN.
A	WALL CHANNELS	2	G	ALUMINUM CURVED PROFILES	2	M	TOP WHEELS	4
B	ALUMINUM FRAME A	2	H	M3.5*32 SCREW	8	N	BOTTOM WHEELS	4
C	FIXED GLASS PANEL	2	I	M3.5*9.5 SCREW	8	O	HANDLES	2
D	RUBBER SWEEPS	4	J	M4.2*30 SCREW	6	P	WALL PLUGS	6
E	SLIDING GLASS PANELS	2	K	CAPS	8	Q	PLASTIC FIXING PARTS	4
F	MAGNETIC PLASTIC SEALS	2	L	THIN RUBBER SEAL	2			

Installation process

(Fig.2) Measure 885mm from corner to outer wall and mount wall channels to the wall. Drill 6mm holes into tiles, making use of supplied screws and wall plugs. Ensure channels are level by making use of spirit level. Be sure not to drill into water pipes.

2. (Fig.3) Assemble shower frame by screwing glass aluminum profiles into top and bottom rounded profiles. (Fig.4). Fixed glass panels can now be slid into glass profiles, and fix the fixed glass panels with supplier small plastic parts and screws.
3. Now your assembled frame must be inserted into the mounted wall channels. These channels act as compensators form unplumb walls. Ensure that the frame is now level and plumb. To secure frame to wall channels use supplied drill bit and drill through the glass profiles into the wall channels. Use provided screws and chrome decorative covers to secure frame work.
4. Insert top and bottom wheel sets into sliding glass panels, ensure that spring loaded wheels at the bottom. These sliding glass panels must now be clipped into the rounded aluminum channels. Clip in top wheels first, then press down bottom wheels and clip into lower rounded profile.
5. Secure door handles onto sliding glass panels.
6. Magnetic rubber seals can now be fitted onto sliding glass panels. Make use of star screwdriver to adjust top wheel sets to ensure magnetic seals meet properly.
7. Rubber sweeps must be fitted to fixed glass panels, to seal gap between fixed panels and sliding glass panels.
8. Thin rubber seals must now be pressed between fixed glass panels and aluminum frame, this ensure no leakage from glass.
9. The shower enclosure can now be sealed with a silicone sealant. Please do not use shower enclosure until the sealant has dried completely.

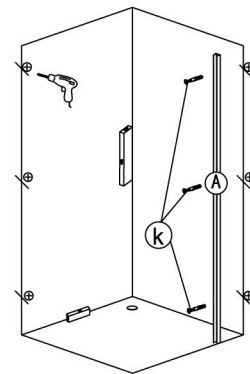


Fig.2

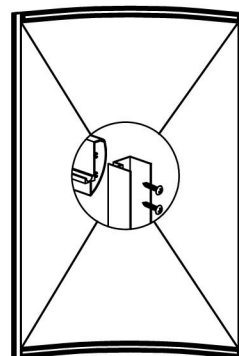


Fig.3

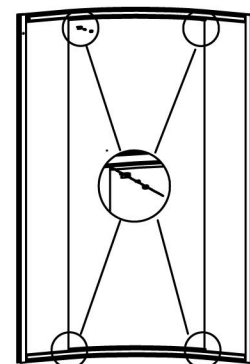


Fig.4

The size of this enclosure may differ to that specified on the carton due to the compensation channels.

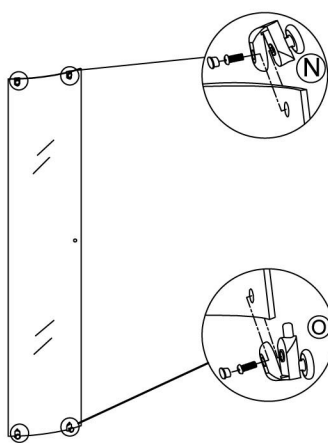


Fig.5

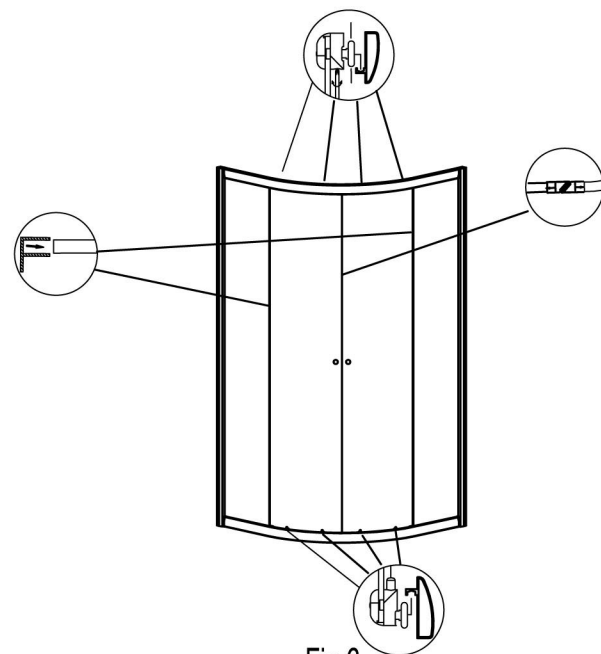
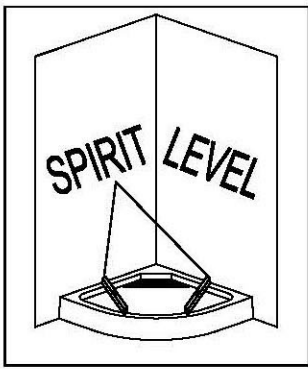
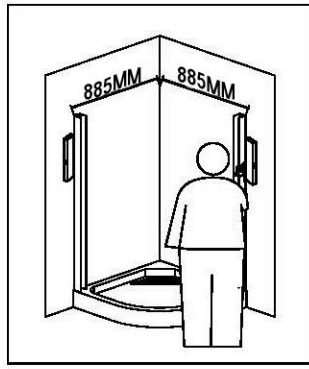


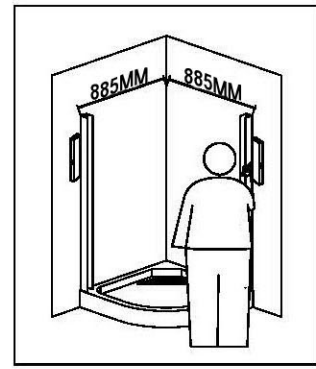
Fig.6



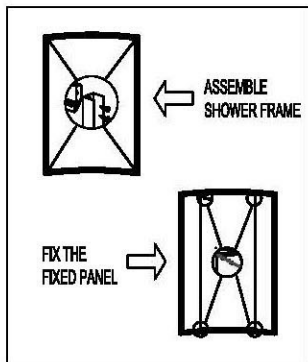
1. Ensure that the floor/tray is level before you begin with the installation.



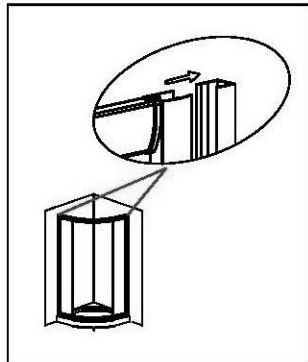
2. Measure 885mm from the 90 degree corner and mark on the outside of the aluminium wall channel.



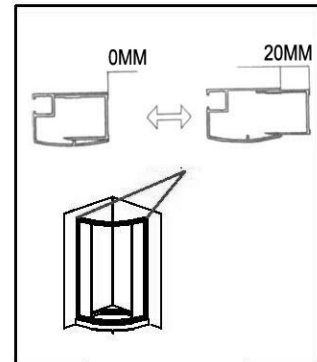
3. Ensure that you use a spirit level to make sure that the wall channel is completely plumb before you mark and drill the holes.
(Repeat steps 2 and 3 for both wall channels)



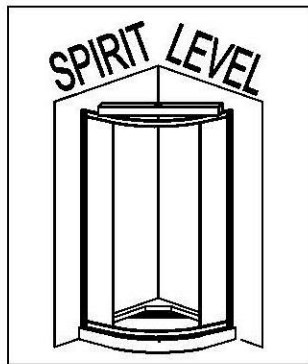
4. Now assemble the enclosure as per the fixing instructions.
(Do not hang the glass doors leave this till last)



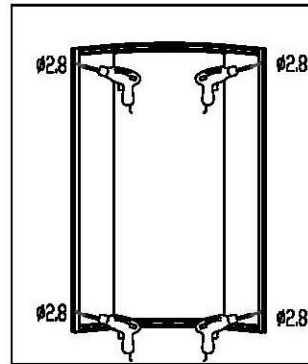
5. Now take the assembled enclosure and slide each aluminium profile over the fixed wall channel one side at a time.



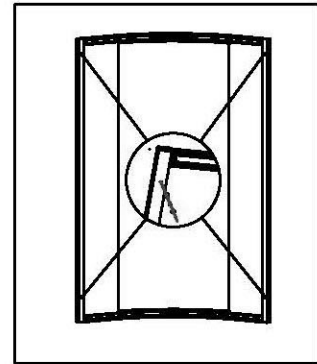
6. Once the enclosure is in place and the profiles are correctly placed over the wall channels you can compensate each side of the enclosure by 20mm to cater for any unplumb walls.



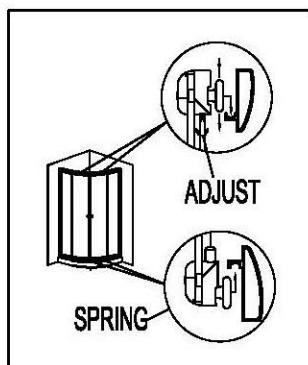
7. Once you have completed the compensation process make sure you use the spirit level on the top of the enclosure to ensure that it is level.



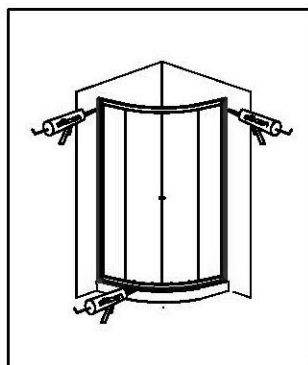
8. Now you need to fix the enclosure in place by drilling a small hole through the profile into the compensation channel.



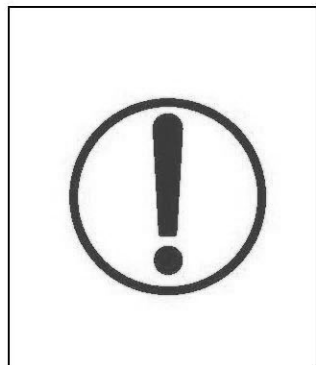
9. Then use small provided screws and decorative covers to secure the enclosure.



10. Now hang the doors ensuring that the spring loaded wheels are at the bottom (Note that the wheels can be adjusted to ensure that the doors hang correctly)



11. You now need to seal the enclosure with a good anti fungal silicone, only seal the out side of the enclosure. **DO NOT SEAL THE ENCLOSURE ON BOTH SIDES!**



12. Allow the enclosure to dry for at least 24 hours before making use of it.