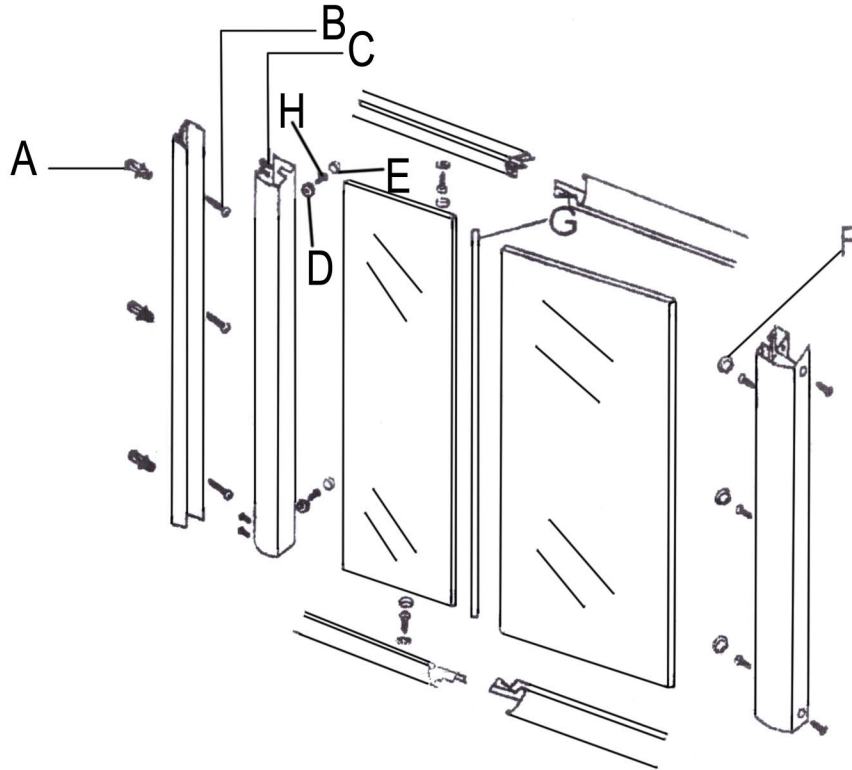










# INLINE EXTENDABLE PIVOT

MODEL:CT8002

SHOWER ENCLOSURE

## INSTALLATION INSTRUCTION

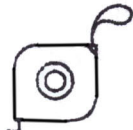


							
Wall plug	Channel screw	Screw	Screw cover	Decorative cover	Decorative cover	Rubber seal	Screw
3pcs	(H4.2*32) 3pcs	(H3.9*32) 3pcs	4pcs	4pcs	3pcs	1pcs	(H3.9*13) 4pcs

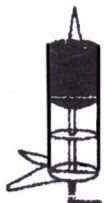
### TOOLS NEEDED:



Pencil



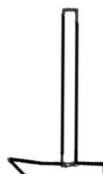
Tape Measure



Silicon



Star screw  
driver



Rubber  
Hammer



Spirit  
Level



Drill Bit



Drilling  
Machine

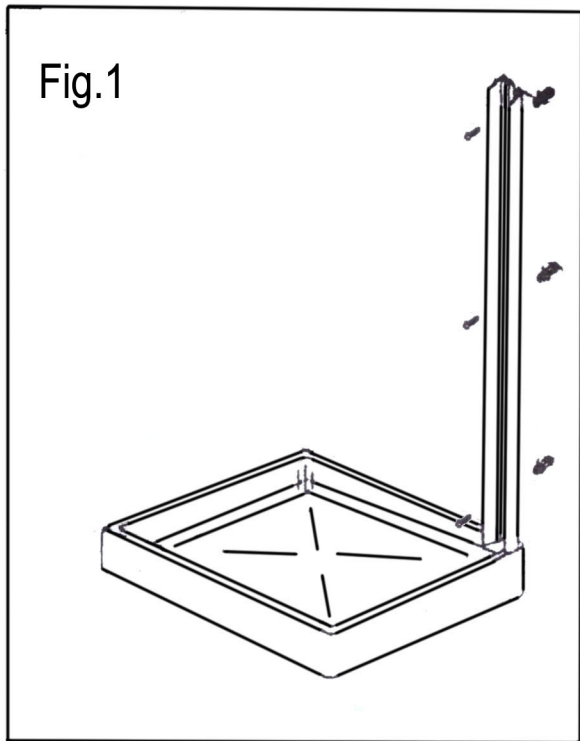


Fig.1: Adjusting the size and fix wall channel, drilling dia. 6mm hole for wall plug and screw H4.2\*32mm\*3pcs.

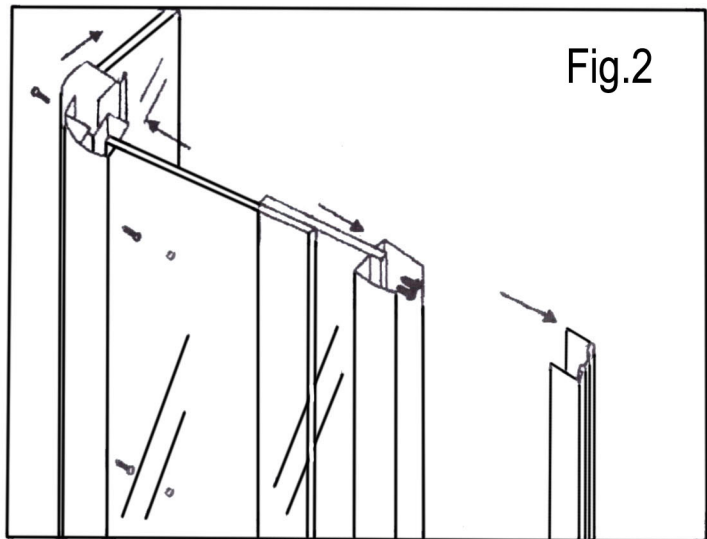


Fig.2: Slid return panel into wall channel check for plumb and level. Drill hole into both corner post and wall channel and fix with screw H3.9\*32mm\*9 and clip on snap caps.

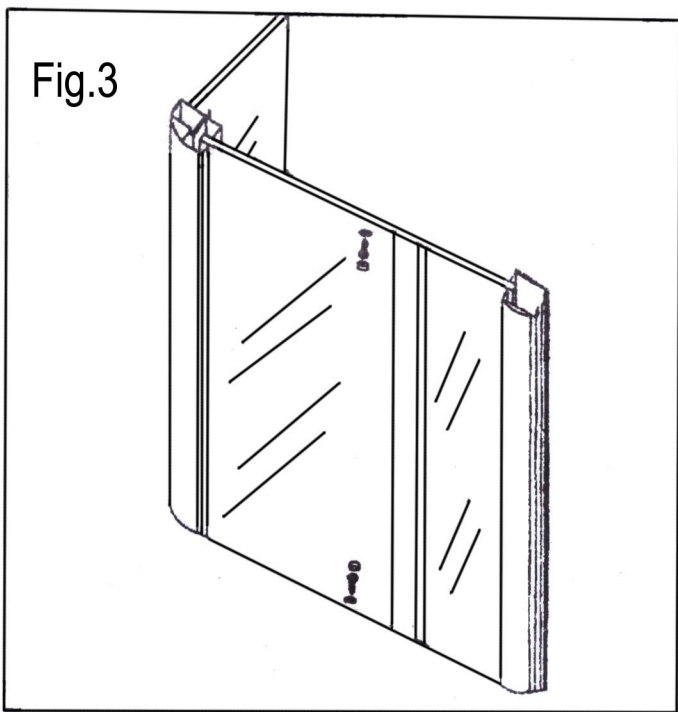


Fig.3: Fixing upper and bottom screws

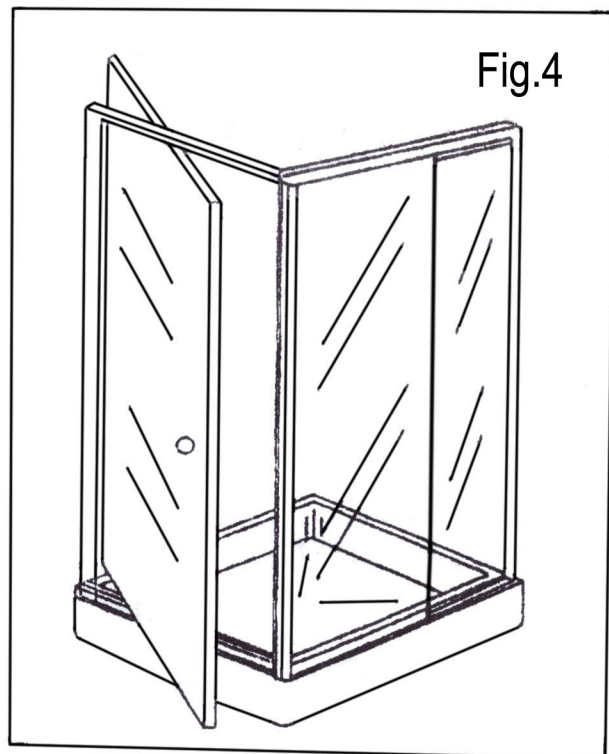
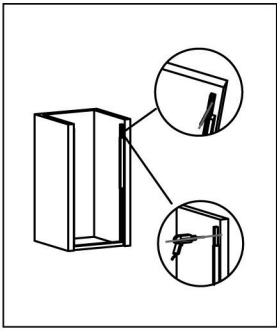


Fig.4: Assembly finished

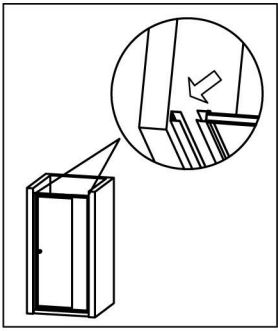
# Installing enclosure between two walls



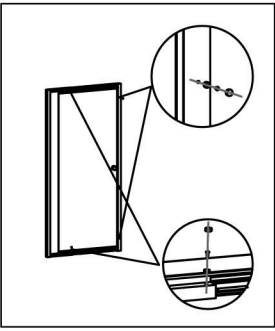
1. Ensure that the floor/tray is level before you begin with the installation.



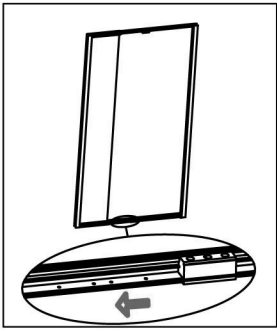
2. Ensure that you use a spirit level to make sure that the wall channel is completely plumb before you mark and drill the holes.



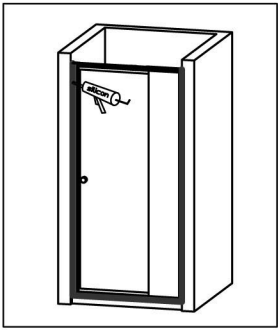
3. Insert door panel.



4. Once the enclosure is in place and the profiles are correctly placed over the wall channels, you can fix the enclosure in place through supplied screws and decorative caps.



5. To obtain the bigger open distance through moving the pivot position if the distance is allowed.

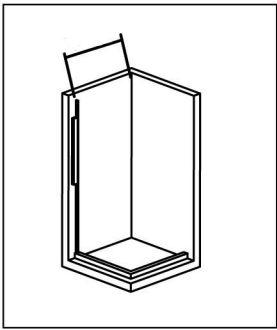


6. You now need to seal the enclosure with a good anti fungal silicone, only seal the out side of the enclosure. DO NOT SEAL THE ENCLOSURE ON BOTH SIDES!

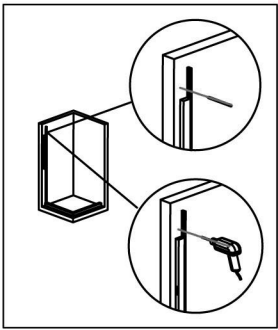
# Installing onto the shower tray or plinth with a 900mm return panel.



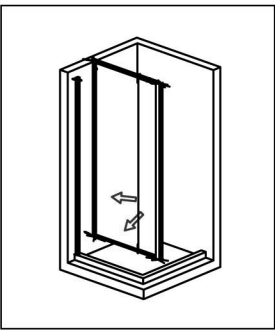
1. Ensure that the floor/tray is level before you begin with the stallation.



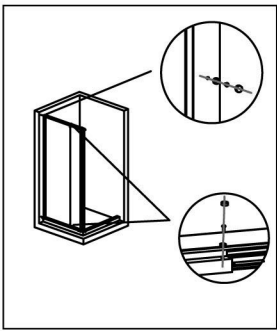
2. Ensure your size is between 800-1020mm.



3. Ensure that you see a spirit level to make sure that the wall channel is completely plumb before you mark and drill the holes



4. Insert return panel



5. Adjust size to your wanted and fix the return panel into place. The follow is the same instructions as installing between two walls



6. Allow the enclosure to dry for at least 24 hours before making use of it.